

HSF

NOTES:

1. MATERIAL SPECIFICATION:
 - 1-1. HOUSING: PBT, UL94V-0, COLOR: BLACK/NATURAL/GREY/BLUE.
 - 1-2. TPA: PBT, UL94V-0, COLOR: RED.
 - 1-3. MING SEAL: SILICON RUBBER, COLOR: ORANGE.
 - 1-4. MAT SEAL: SILICON RUBBER, COLOR: GREEN.
 - 1-5. COVER: PBT, UL94V-0, COLOR: BLACK.
2. APPLICABLE WIRE: 0.3-0.5mm² (OD: 1.3-1.7mm).
3. ENVIRONMENTAL PERFORMANCE:

OPERATION TEMPERATURE: -40°C to +125°C.
4. APPLICABLE TERMINAL:
 - 4-1. T72XXS-C193CXXXXW, C7025, OPERATION TEMPERATURE: -40°C to +125°C.
 - 4-2. T72XXS-C193P1XXXXW, C5210, OPERATION TEMPERATURE: -40°C to +100°C.
5. WATERPROOF GRADE: IP68/IP69K (AFTER INSTALLATION).
6. RoHS COMPLIANT.

ORDERING INFORMATION

74040-3FC 023 A N 00 W A X W

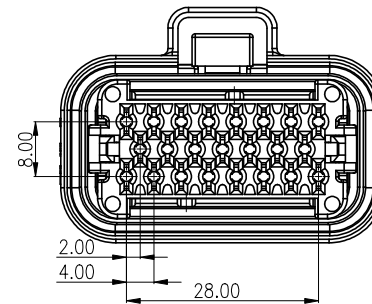
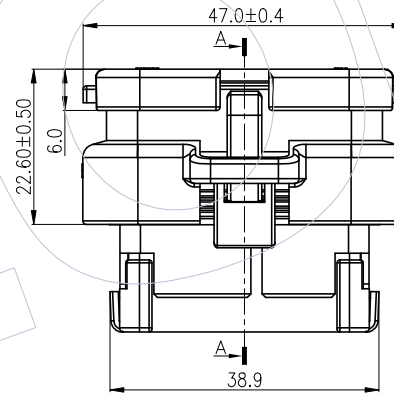
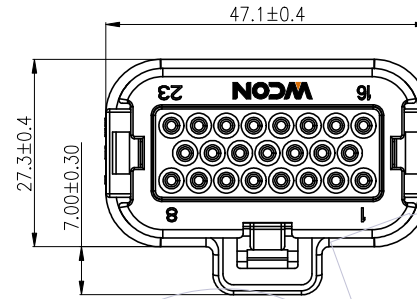
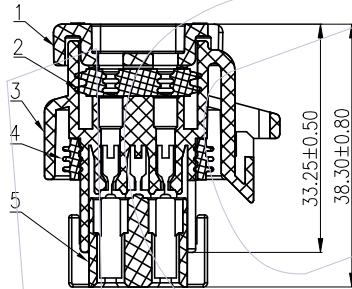
PIN NO.:
023=23PIN

MATERIAL:
A=PBT

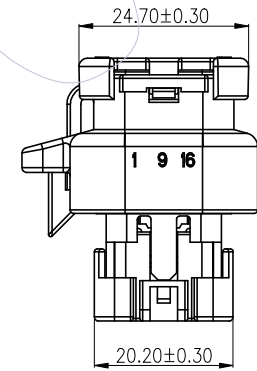
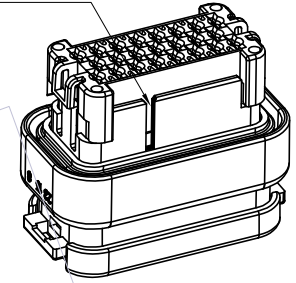
A=TRAY

HSG COLOR:
5=BLACK
6=WHITE
7=GREY
8=BLUE

W=W/T WCON LOGO
BLANK=W/O LOGO



FOOL-PROOF



NO	PART NAME	MATERIAL	QTY
1	COVER	PBT/BLACK	1
2	MAT SEAL	SILICON RUBBER	1
3	HOUSING	PBT/BLACK	1
4	MING SEAL	SILICON RUBBER	1
5	TPA	PBT/RED	1

REV	DATE	MODIFICATION DESCRIPTION	CHANGE	OPERATION	DRAW	DATE	SCALE	PART NO.
AO	11/05'25	NEW	Tong Da	x.X ±0.40	Tong Da	11/05'25	1:1	74040-3FC023AN00WAX(W)
				x.XX ±0.25	CHECK	DATE	UNIT	TITLE: 4.0X4.0 THREE ROW CAR CONNECTOE LINE END 23P SOCKET
				x.XXX ±0.15	Lavon.Wu	11/05'25	mm	
				Angle ± 3'	APPROVE	DATE	SIZE	A4
				DIM TOL	Steven.Zhao	11/05'25	SHEET	1/2
							PROJ.	Customer NO.

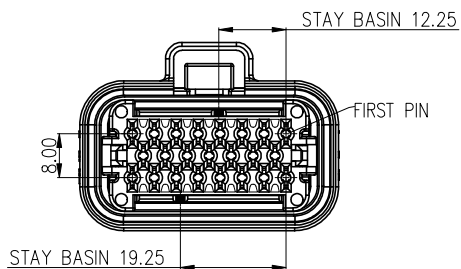
WCON
Http: www.wcon.com

WCON-Dongguan
Tel: +86 769 85358920
Fax: +86 769 85358915
E-mail: sales@wcon.com

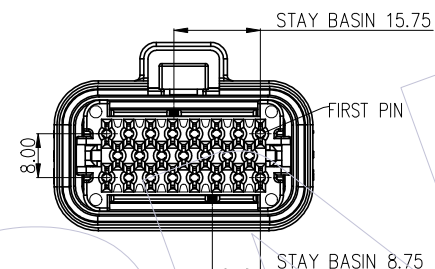
WCON-Kunshan
Tel: +86 512 57468408
Fax: +86 512 57468468
E-mail: salesks@wcon.com

HSF

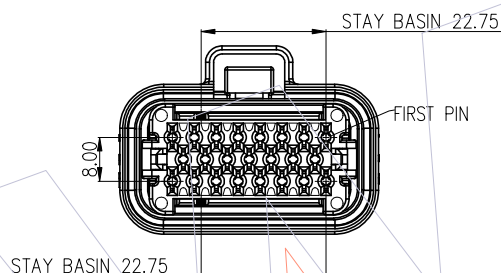
KEY OPTION



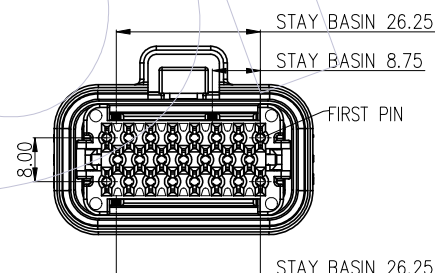
HOUSING COLOR:BLACK
P/N:74040-3FC023AN00WA5W



HOUSING COLOR:NATURAL
P/N:74040-3FC023AN00WA6W



HOUSING COLOR:GREY
P/N:74040-3FC023AN00WA7W



HOUSING COLOR:BLUE
P/N:74040-3FC023AN00WA8W

PART NUMBER	HOUSING COLOR	MATING HEADER			
		STANDARD		UPGRADED	
		VERTICAL	RIGHT-ANGLE	VERTICAL	RIGHT-ANGLE
74040-3FC023AN00WA5W	BLACK	74040-3MS023ABXXNA1(W)	74040-3MR023ABXXNA1(W)	74040-3MS023ABXXJA1(W)	74040-3MR023ABXXJA1(W)
74040-3FC023AN00WA6W	NATURAL	74040-3MS023ABXXNA2(W)	74040-3MR023ABXXNA2(W)	74040-3MS023ABXXJA2(W)	74040-3MR023ABXXJA2(W)
74040-3FC023AN00WA7W	GREY	74040-3MS023ABXXNA3(W)	74040-3MR023ABXXNA3(W)	74040-3MS023ABXXJA3(W)	74040-3MR023ABXXJA3(W)
74040-3FC023AN00WA8W	BLUE	74040-3MS023ABXXNA4(W)	74040-3MR023ABXXNA4(W)	74040-3MS023ABXXJA4(W)	74040-3MR023ABXXJA4(W)

				OPERATION	DRAW	DATE	SCALE	1:1	PART NO.
				x.x	Tong Da	11/05'25	UNIT	mm	74040-3FC023AN00WAX(W)
				x.xx	CHECK	DATE	SIZE	A4	TITLE: 4.0X4.0 THREE ROW CAR CONNECTOE LINE END 23P SOCKET
				x.xxx	Lavon.Wu	11/05'25	SHEET	2/2	Customer NO.
AO	11/05'25	NEW	Tong Da	Angle	APPROVE	DATE	PROJ.		
REV	DATE	MODIFICATION DESCRIPTION	CHANGE	DIM TOL	Steven.Zhao	11/05'25			

WCON
Http: www.wcon.com

WCON-Dongguan
Tel: +86 769 85358920
Fax: +86 769 85358915
E-mail: sales@wcon.com

WCON-Kunshan
Tel: +86 512 57468408
Fax: +86 512 57468468
E-mail: salesk@wcon.com